

Monocrystalline Photovoltaic Module »



# MEPV 132 HALF-CUT PLUS

STANDARD - BLACK »  
**500 Wp**

## QUALITY »



**MBB technology**  
Better light absorption



**Reduced BOS**  
Cost effective product



**Long durability**  
Continuous performance



**Fire resistance**  
Maximum protection



**Avoid losses**  
Better shading tolerance



**Efficiency**  
Over 21% efficiency



1997 to 2022  
**25<sup>TH</sup>**  
ANNIVERSARY

\*\*\* EUROPEAN QUALITY

## WARRANTIES »

**20** YEARS PRODUCT WARRANTY

**25** YEARS PERFORMANCE WARRANTY  
Linear Warranty

**PRODUCT WARRANTY**  
for Premium Partners

**+5**  
YEARS

## CERTIFICATES »



## TECHNICAL FEATURES »

### Eurener\_MEPV 132\_HALF-CUT PLUS\_500Wp\_2022EN

#### FRAME

Black / Silver anodized aluminium

Robust and resistant to corrosion

#### CONNECTION BOX AND PROTECTIONS

Sealed, robust and wide for heat dissipation

IP67/IP68 according to IEC 60529

Diodes by-pass built-in (3/6)

Connector MC4 compatible

Application Class A. Safety Class II

Cables 1000 mm ( $\pm 20\%$ ) length and 4 mm<sup>2</sup> section

#### FRONTAL

3,2 mm thick tempered glass with high strength and ARC

Textured, extra-clear with low iron content

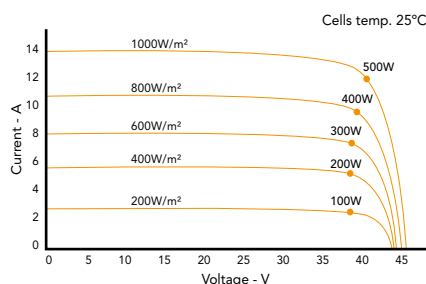
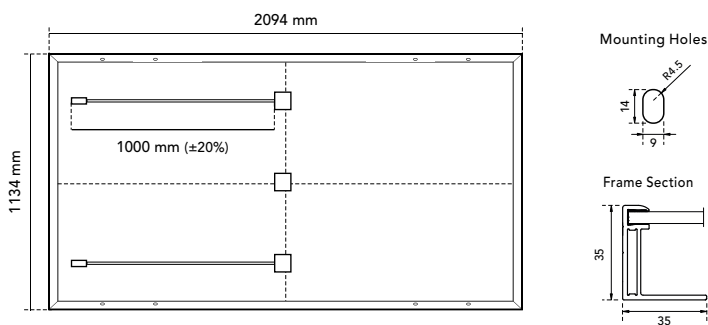
Frontal load (snow) 5400 Pa | Back load (wind) 2400 Pa

#### SOLAR CELLS

132 [2x(11x6)] cells monocrystalline silicon

#### WEIGHT, DIMENSIONS AND PACKAGING

26,3 Kg | 2094 x 1134 x 35 mm ( $\pm 1\%$ ) | Pack: 682 pcs-truck



## ELECTRIC DATA »

STANDARD - BLACK	MEPV 500
STC: 1000 W/m <sup>2</sup> , module temperature 25°C, AM 1,5	
Nominal power. Pmax	500 Wp
Max. power tolerance. Pmax	0 / +5 W
Area of the module	2,37 m <sup>2</sup>
Module efficiency	21,06 %
Isc	13,93 A
Voc	45,59 V
Imp	13,04 A
Vmp	38,35 V
NOCT: 800 W/m <sup>2</sup> , ambient temperature 20°C, AM 1,5	
Nominal power. Pmax	377,98 W
Isc	11,27 A
Voc	42,72 V
Imp	10,52 A
Vmp	35,93 V
Operating parameters. Temperature coefficients	
Maximum voltage	1000 - 1500 V
Maximum series fuse rating. Ir	25 A
$\alpha$ Isc	0,0445 % / °C
$\beta$ Voc	- 0,275 % / °C
$\gamma$ Pmax	- 0,350 % / °C
Temperature range	- 40°C ~ + 85 °C
NOCT	45 $\pm$ 2 °C

NOTE: Read the instruction manual of this product and follow the indications STC. Values are valid for: 1000W/m<sup>2</sup>, AM 1,5 and cells temperature of 25°C. Measurement tolerance +/-3% (AAA Solar simulation -IEC 60.904-9-). All the information of this brochure may be amended without notice by Eurener. Eurener\_MEPV 132\_HALF-CUT PLUS\_500Wp\_EN\_SEP2022

1997 to 2022  
**25**  
TH  
ANNIVERSARY

[www.eurenergroupp.com](http://www.eurenergroupp.com)  
contact@eurenerworld.com  
+34 960 045 515  
Calle Colón, 1-23  
46004, Valencia. Spain

### 25 years manufacturing a better world

Since 1997 our main purpose has been to supply quality and long-lasting photovoltaic modules that allow us and future generations, to continue generating clean energy to take care of our planet.