

**WECO**

# XTR SERIES

**MODEL  
YEAR  
2026**

6 - 8 - 10 - 15 - 20kW

THREE PHASE INVERTER – LOW VOLTAGE BATTERY



Power.  
Reliability.  
Ease.

## FEATURES

3 MPPT

20A PV Input

Up to 380A Battery Current

**The integrated system for energy autonomy.**

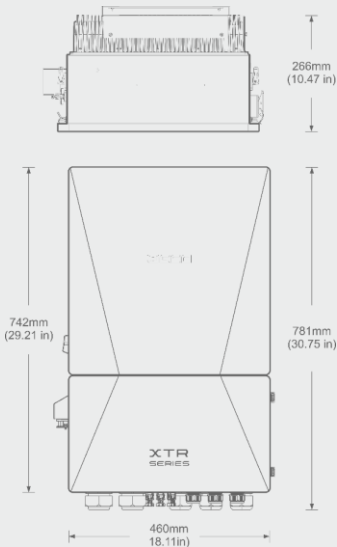
From reliable three-phase power to the constant reserve of the LV battery: an ecosystem designed to ensure continuity and control, for your home or business.

# 6-20kW LV

## THREE-PHASE HYBRID INVERTER

### Specifications

	XTR-6K	XTR-8K	XTR-10K	XTR-12K	XTR-15K	XTR-20K	
PV INPUT	Max. PV Power Input		25kW		40kW		
	Max. Usable PV Power		20kW	20kW	30kW	30kW	30kW
	Max. Input Voltage		1000 V				
	Full Power MPPT Voltage Range		160 V ~ 980 V				
	Start voltage		120 V				
	No. of Independent MPPT Trackers		2		3		
	No. of Independent MPPT Strings per MPPT Input		1				
	Max. Input Current per MPPT Tracker		20 A				
	Max. Short-circuit Current per MPPT Tracker		30 A				
BATTERY	Max. Charging / Discharging Power		20/7.2 kW	20/9.6 W	20/12 kW	20/14.5kW	20/18 kW
	Battery Charge / Discharge Current		380/150 A	380/200 A	380/250 A	380/350 A	380/350A
	Battery Rated Voltage		51.2 V				
	Battery Voltage Range		40-60 V				
	Battery Power Inputs		2*				
	Battery CAN input		1				
	Battery Type		Lithium - Weco				
	Communication Interface		WeCo-CAN				
AC INPUT / OUTPUT	Rated Active Power		6 kW	8 kW	10 kW	12kW	15 kW
	Max. Output Apparent Power		6.6 kVA	8.8 kVA	11 kVA	13.2kVA	16.5 kVA
	Max. Output Current		3 x 10A	3 x 13.3A	3 x 16.7A	3*20A	3 x 25A
	Max. Single Phase Power		4.3kW	4.3kW	8.5kW	8.5kW	8.5kW
	Rated Output Voltage		3W+N+PE, 220 / 380 V ; 230 / 400 V				
	Rated AC Grid Frequency		50 Hz / 60 Hz				
	Harmonics THDI (@Nominal power)		<3%				
BACKUP OUTPUT (Offgrid)	Nominal AC Power Output		6 kW	8 kW	10 kW	12kW	15 kW
	Max. AC Power Output		6.6 kVA	8.8 kVA	11 kVA	13.2kVA	16.5 kVA
	Max. AC Current Output		3 x 10A	3 x 13.3A	3 x 16.6A	3*20A	3 x 25A
	Peak Output Apparent Power		200% 10s	200% 10s	200% 10s	200% 10s	200% 10s
	Max. Switch Time		10ms (Average)				
	Output THDI (@Linear load)		< 3%				
	Protection Class		I				
	DC switch		Yes				
SAFETY	DC reverse Protection		Yes				
	DC/AC Over Voltage protection		DC type II / AC type III				
	SPD		Yes				
EFFICIENCY	Leakage protection		Yes				
	GFCI		Yes				
	Battery Breaker ( built In)		Optional				
	MPPT Efficiency		≥ 99.5%				
	Max. Efficiency		97.7%				
Euro Efficiency		97.0%					
Max. Battery to Load Efficiency		97.50%	97.50%	97.50%	97.50%	97.60%	



\*40kg without accessories

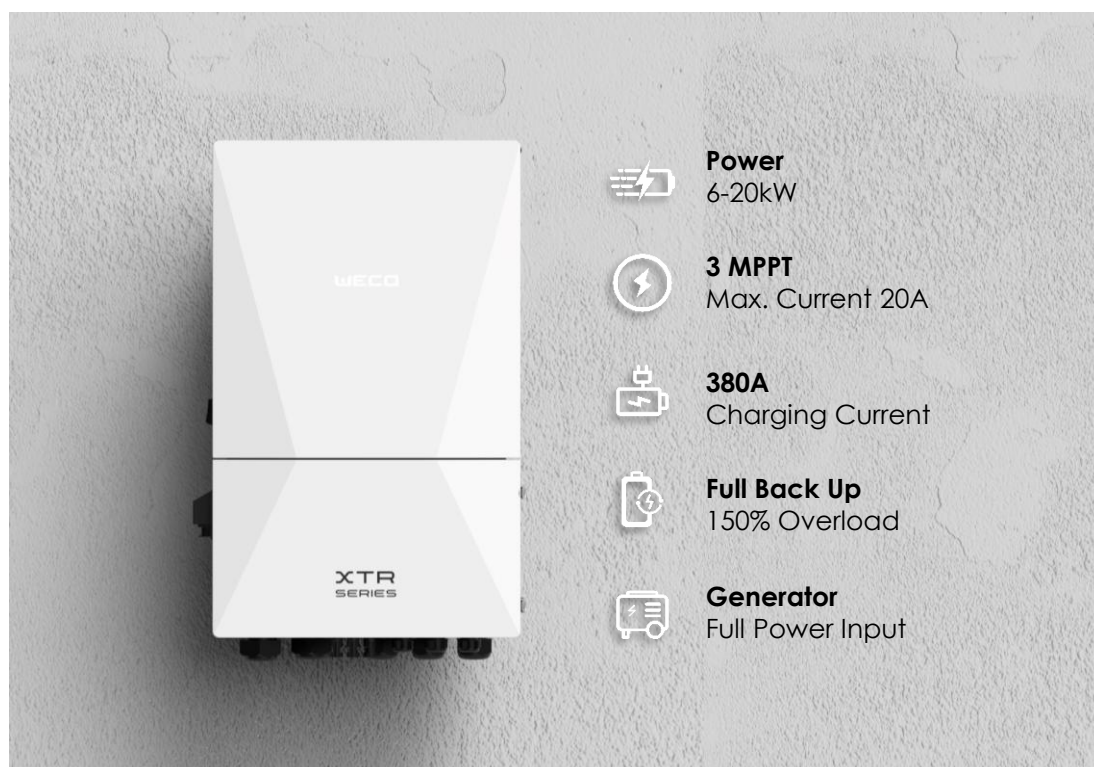
We recommend contacting WeCo for the most up-to-date datasheet, read warranty and manual before making any purchasing decisions.  
 No part of this document can be copied or reproduced without WeCo written permission.  
 All data is subject to change without prior notice.  
 \*20kW max. output is 150% 10s

# XTR-3 LV

## THREE PHASE HYBRID INVERTER

WECCO

Specifications		XTR-6K	XTR-8K	XTR-10K	XTR-12K	XTR-15K	XTR-20K
ADDITIONAL SAFETY FEATURES	DC-Side Disconnection Device						Included
	PV String Reverse Polarity Protection						Included
	All-pole Sensitive Residual Current Monitoring Unit						Included
	Anti-Islanding Protection						Included
	AC Output Over Current Protection						Included
	AC Output Short Circuit Current Protection						Included
	AC Over Voltage Protection						Included
	Protection Class (As Per IEC 62109-1)						Included
GENERAL DATA	Power Factor At Rated Power						>0.99 / 0.8 leading to 0.8 lagging
	Dimensions (W x H x D) (mm)						450 x 781 x 266
	Device Weight						50 kg
	Installation						Wall-mounted
	Operating Temperature Range						-25 °C ~ +60 °C (< 45°C Derating)
	Noise Emission (Typical)						< 50 dB (A)
	Standby Consumption						< 15 W
	Cooling Method						Smart Cooling
	Ingress Protection Rating (As Per IEC 60529)						IP65
	Max. Permissible Value for Relative Humidity (Non-Condensing)						0 ~ 100%
	Max. Operating Altitude						4000 m (> 2000 m power derating)
FEATURES	Inverter Topology (PV/Battery)						Transformerless
	User Interface						LED & App
	Communication with BMS						RS485 / CAN
	Communication with Meter						RS 485
	Communication with Portal						Wi-Fi Logger
	Integrated Power Control / Zero Export Control						Included
STANDARD COMPLIANCE	Safety						EN 62109 - 1, EN 62109 -2
	EMC						IEC 61000-6-1 / -2 / -3 / -4, IEC 61000-3-11, IEC 61000-3-12

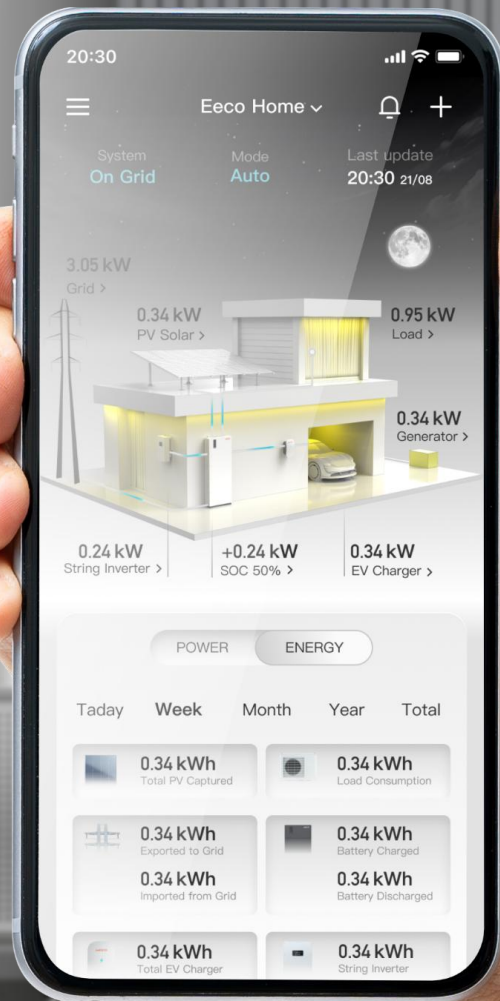


# XTR SERIES

THREE PHASE HYBRID INVERTER

## NooR APP MAKE YOUR LIFE EASIER

WeCo mobile app offers convenient and out-of-the-box monitoring of WeCo Energy Storage Systems, allowing users to manage everything with just a few taps.



**WECO**

WeCo Srl a Socio Unico  
Viale J. F. Kennedy 113-121  
50038 Scarperia e San Piero  
Firenze, Italy

weco@wecobatteries.com  
www.wecobatteries.com



Images herein are for demonstration only and may not reflect final product outlook. Confirm current data with WeCo before purchase. Unauthorized use, copying, or reproduction of design, logo or content is prohibited. WeCo is a registered brand of WeCo Srl Italia.